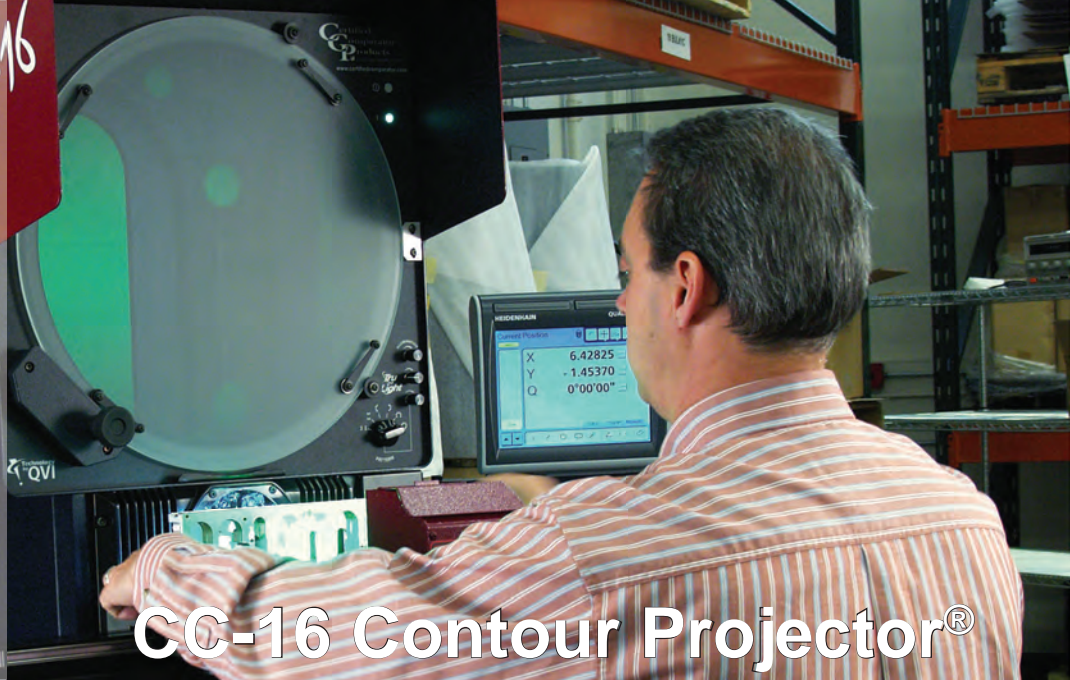


Certified  
CP  
Products



## CC-16 Contour Projector®

The **CC-16** is a top quality optical comparator designed to meet the needs of today's manufacturers. The 16" diameter screen displays crisp, evenly illuminated images at every available magnification.

- Exclusive TruLight® all-LED illumination
- CC-16 is "rock solid" with its cast mineral composite base that provides structural integrity for consistent performance in shop environments
- Optional VidiProbe® video measurement and eCAD® virtual chart gage system

### Benchtop Optical Comparator



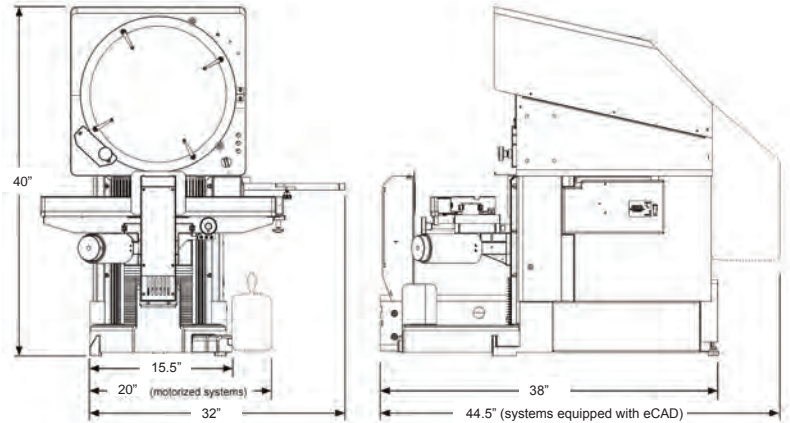
Proudly designed and manufactured in  
the United States of America



# CC-16 Contour Projector

## Available Options and Accessories:

- Adjustable direct projection iris
- Digital video screen image capture
- EdgeScan internal automatic edge detection (requires a Quadra-Chek DRO)
- Projectron automatic grayscale edge detection (requires a Q-Check DRO)
- VidiProbe Video Measurement and Measure-X 2D software
- Fixture and calibration reticles
- Fresnel lens
- Overhead light shield
- Glass and plastic overlay charts
- Heavy duty cabinet stand with storage space
- Ergonomic, motorized adjustable height stand
- CE mark available for systems delivered to Europe
- Swing away lamphouse
- Service and support contracts
- Full parts and labor warranty for 1 year



## Optional Software:

- MeasureFit® Plus
- SmartReport® with real-time statistics
- Quadra-Chek® QC-Wedge (requires Microsoft® Excel™)
- eCAD® for electronic CAD overlay & virtual chart systems
- eChek™ Metrology Software
- Measure-X® 2D Metrology Software

System Weight: 495 lb

	Standard	Optional
<b>XY Travel Range</b>	15" x 6"	18" x 6"
<b>Helix Angle Range</b>	±7.5° with pivoting worktable assembly and zero stop	
<b>Focus Travel (Z)</b>	2" with precision fine adjustment	
<b>XY Positioning</b>	Precision, with heavy duty substage for vertical motion	
<b>Throat Clearance</b>	10.75"	
<b>XY Scale Resolution</b>	0.00004"	0.00002"
<b>XY Drive System</b>	Motorized, with variable speed joystick control and manual fine adjustment knobs	
<b>Worktable</b>	Hardcoat anodized aluminum with fixturing slot, 20" x 4.75"	
<b>Recommended Maximum Load Capacity</b>	60 lb	
<b>Optical System</b>	Telecentric with upright, reversed image	
<b>Screen Size</b>	16" diameter screen, with integral hood	
<b>Screen Type</b>	Ground glass with 90° centerlines and clips for mounting 16" overlay charts	
<b>Protractor</b>	Digital screen display, ± 360° readout with 1' (0.017") resolution	
<b>Working Distance</b>	3.8"	
<b>Lens</b>	10X Projection lens	20X, 31.25X, 50X, 100X
<b>Lens Mount</b>	Internal, quick change lens mount and storage rack with locking access door	Two position lens turret, manual, internal
<b>Illumination</b>	Profile light: High-brightness green LED with continuously variable intensity control	Oblique (Dark Field), Ring Light with 8 white LEDs, 6 switch-selectable patterns for effective directional lighting; continuously variable intensity Through-the-lens coaxial surface light, white brightfield, LED, continuously variable intensity
<b>Electronics</b>	Choice of Quadra-Chek® QC-100 or QVI Q-Check®	Quadra-Chek QC-200 or QC-300
<b>Power Requirements</b>	115/230VAC, 50/60 Hz, 1φ, 600W	